

3. For a more thorough cleaning, photographic lens tissue and photographic-type lens cleaning fluid or isopropyl alcohol may be used. Always apply the fluid to the cleaning cloth (included) - never directly on the lens.

VERY IMPORTANT:

Never attempt to clean your binocular internally or try to take it apart - this will void our warranty to your instrument.

VII. Repair or Replacement

Your ORECK binocular is a product of precise engineering. If you require additional information or have problems with your Oreck product, you may call ORECK CUSTOMER SERVICE at:

US: 1-800-989-3535 Canada: 1-888-676-7325

Please specify the product and model number.

Save your sales or purchase slip. Should your Oreck product require warranty service in the U.S.A., present this slip to the Authorized Service Center as your proof of purchase date or, in Canada, call customer service.

CAUTION! Do not view the sun with this product as viewing directly can cause permanent eye damage.

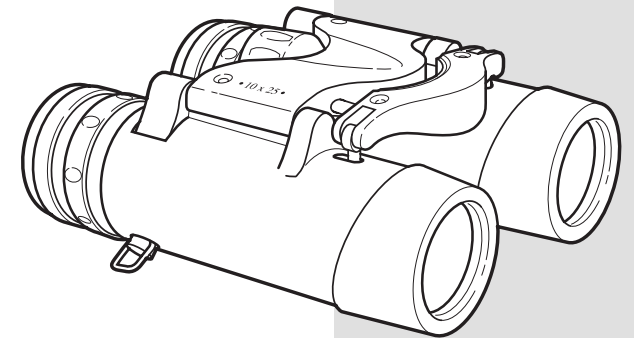
ORECK® XL

SIMPLY AMAZING®

USER'S GUIDE

Compact Binocular

BIN25



•IMPORTANT•
SAVE THIS BOOKLET!

Includes:
Warranty
Operating Instructions

Oreck® Warranty

Oreck Corp. warrants that all new binoculars are free from defects in material and workmanship under normal, non-commercial use and service. Oreck will remedy any such defects if they appear within 1 year from date of purchase. This warranty gives you specific legal rights, and you may have other rights which vary state to state.

Binocular Information

This binocular is a precision instrument designed to provide many years of pleasurable viewing. This manual will help you achieve optimum performance by explaining how to adjust the focus, how to use and care for your binoculars. Read the instructions carefully before using your binoculars.

Parts Included

- Binocular
- Carry Case with Belt Loop
- Neck Strap
- Lens Cleaning Cloth

I. Eye Adjustments (figure 1)

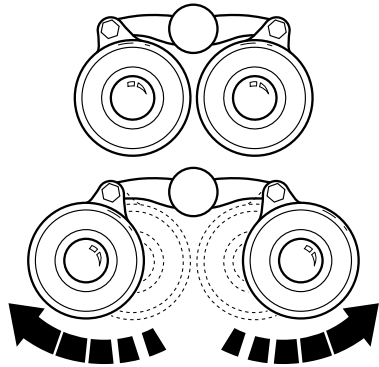


fig. 1 INTERPUPILLARY DISTANCE ADJUSTMENT

How To Adjust for Distance Between Your Eyes:

The distance between the eyes, called "interpupillary distance" (IPD), varies from person to person. To achieve perfect alignment of lens to eye, follow these simple steps.

1. Hold your binocular in the normal viewing position.
2. Grasp each barrel firmly. Move the barrels closer together or further apart until you see a single circular field. Always re-set your binocular to this position before using.

II. Focusing (figure 2)

How To Adjust For Individual Eye Strength:

Human eyes are as individual as fingerprints. This binocular has a feature which allows you to adjust the binocular to your vision.

This binocular use center focusing as the primary focusing system.

CENTER FOCUS has a central focusing wheel between the barrels.

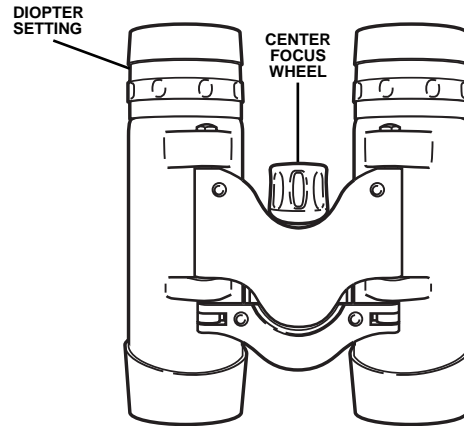


fig. 2 DIOPTRER SETTING

1. Adjust interpupillary distance. (Figure 1)
2. Keep both eyes "open" at all times.
3. Using your hand, cover the objective (front) lens of the side with the "diopter setting."
4. Using the center focus wheel, focus the distant object being viewed.
5. Cover the other objective lens, and then view the same object.
6. Using the "diopter setting" adjustment ring, focus the same object being viewed. Caution should be used as over turning or forcing the diopter eyepiece can cause damage.
7. Your binocular should be adjusted for your eyes. Focus at both far and near distances can now be attained simply by turning the center focus wheel.

III. Weatherproof/Fog-Proof

Your binocular are designed and built utilizing the latest weatherproof and fog-proof technology. Although this binocular is weatherproof, they are not completely waterproof. **DO NOT SUBMERGE IN WATER.**

IV. Eyecups (figure 3)

Your binocular is fitted with rubber roll-down eyecups designed for your comfort and to exclude extraneous external light. If you wear sun/eye glasses, roll downs the eyecups. This will bring your eyes closer to the binocular lens, thus providing improved field of view.

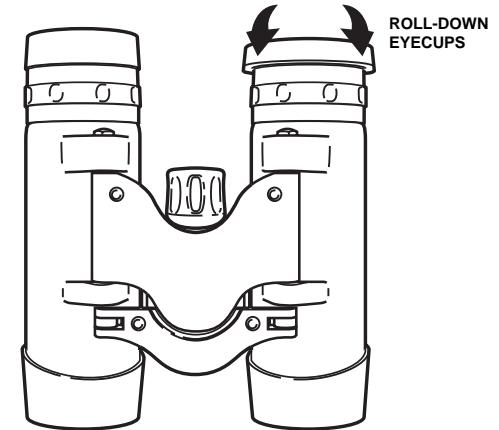


fig. 3 BINOCULAR EYECUPS

V. Instructions For Care

If handled with care, this binocular will provide years of trouble-free service. Like any fine optical instrument your binocular should be given sensible care. This binocular should not be exposed to excessive moisture.

1. Keep binocular in the storage case when not in use.
2. Store binocular in case with the eyecups up. This avoids excessive stress and wear on the eyecups in the down position.
3. Avoid banging and dropping.
4. Store in a cool, dry place.
5. Looking directly at the sun with your binocular may be very harmful to your eyes.

VI. Cleaning

1. Blow away any dust or debris on the lens (or use a soft lens brush).
2. To remove dirt or finger prints, clean with the included special lens cleaning cloth by rubbing in a circular motion. Use of a coarse cloth or unnecessary rubbing may scratch the lens surface or lens coating and eventually cause damage.